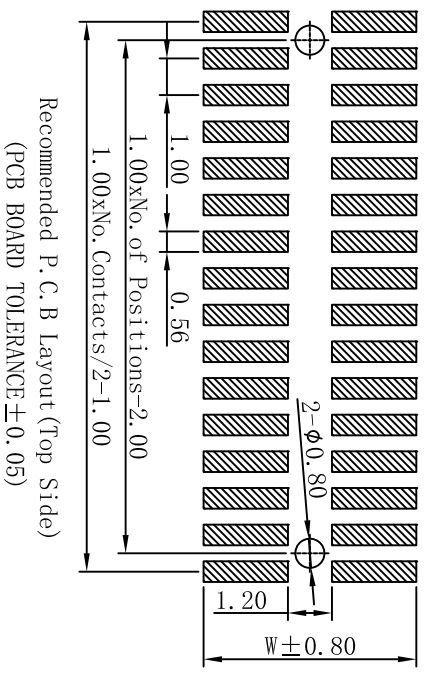
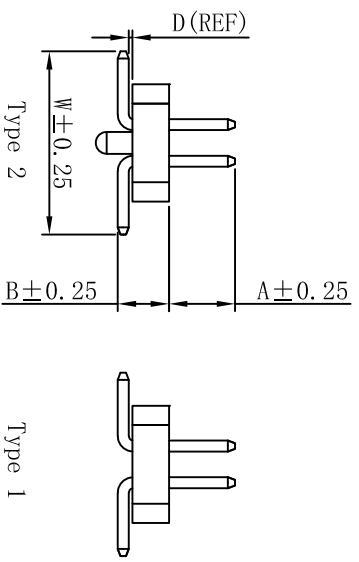
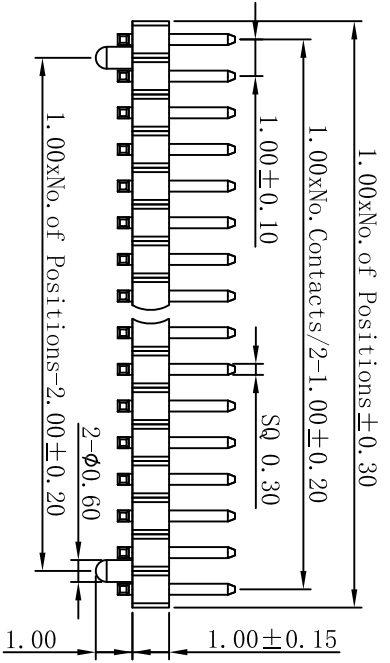
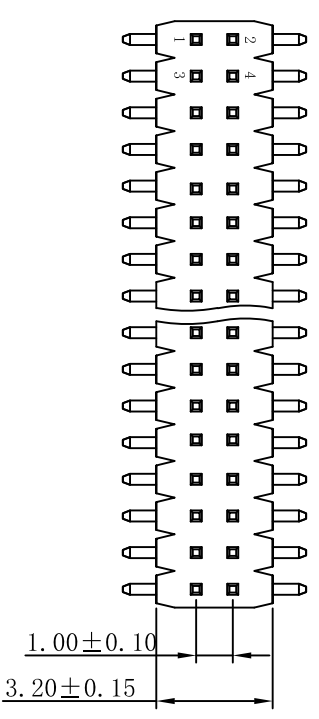


Rev No	Revision note	Date	Signature	Checked
A/0	NEW DRAWING	DEC. 07. 2020		



Recommended P. C. B Layout (Top Side)  
(PCB BOARD TOLERANCE ± 0.05)

Dimension Antitheses List				
ITEM	Pin Length	A	B	W
Standard	4.90	1.80	1.40	5.00
Alternate				

THIS DRAWING IS A CONTROLLED DOCUMENT

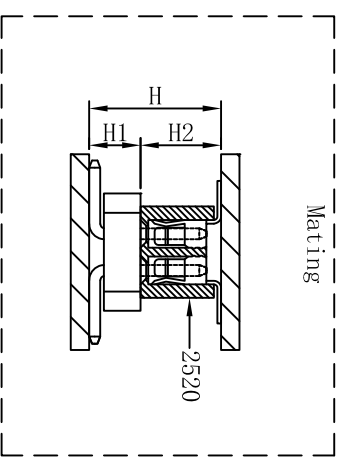
TOLERANCES UNLESS OTHERWISE SPECIFIED

DIMENSIONS INCHES	TOLERANCES UNLESS OTHERWISE SPECIFIED
0 P.I.C	± 0.40
1 P.I.C	± 0.25
2 P.I.C	± 0.15
3 P.I.C	± 0.10
4 P.I.C	± 0.10
ANGLES	± 3°

**Electrical:**  
 Current Rating: 0.75AMP.  
 Contact Resistance: 30mΩ Max.  
 Insulation Resistance: 1000MΩ Min.  
 Withstanding Voltage: 500V AC/DC.

**Mechanical:**  
 Contact Material: Brass (SQ 0.30mm) .  
 Contact Plating: Au or Sn Over Ni.  
 Insulator Material: Polyester UL94V-0.  
 Standard: PA6T.

**Environmental:**  
 Operating Temp Range: -55°C ~ +125°C with Gold  
 -40°C ~ +105°C with Tin  
 Max. Processing Temp: +230°C for 30~60 Seconds  
 +260°C for 10 Seconds



**Ordering Code:**

1510-12 XX M XX X XXX X X 01

No. of Pins Per Row: 09~36	Contact Plating: G0=Gold Flash, G1=3u" Gold, G2=5u" Gold, G3=10u" Gold, G4=15u" Gold, G5=30u" Gold, S0=GoldFlash/Tin, SN=Tin, SM=Matte tin	Insulator Material: A=RK-PBT, B=RK-PA6T, C=RK-PA9T, D=RK-ICP	Pin Length: L=A+D+H, L2=L	Type: 1=Type 1, 2=Type 2	Packing: T=Tube, P=Tray, R=Reel, GAP
----------------------------	--	--	---------------------------	--------------------------	--------------------------------------

**YTCO TECHNOLOGY**  
 HTTP://WWW.YTCO.CO

**PH1.00, DUAL ROW, SMT, H=1.0**

DATE: DEC. 07. 2020  
 CK: KAIYUAN, XU  
 DATE: DEC. 07. 2020  
 MK: MIKE  
 DATE: DEC. 07. 2020  
 AW: PETER  
 DATE: DEC. 07. 2020

SCALE: 5 : 1  
 SIZE: A4  
 FILE PATH: A/D/YTCOTZ/Pin Header/1.00mm

PART NO: 1510-12XXMXXXXXXXXX01  
 DRAWING NO: 1510-12M

594309442

SHEET 1 OF 1