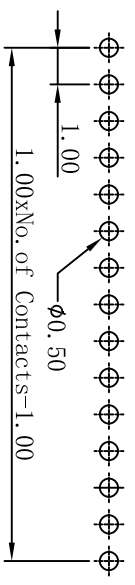
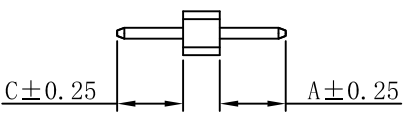
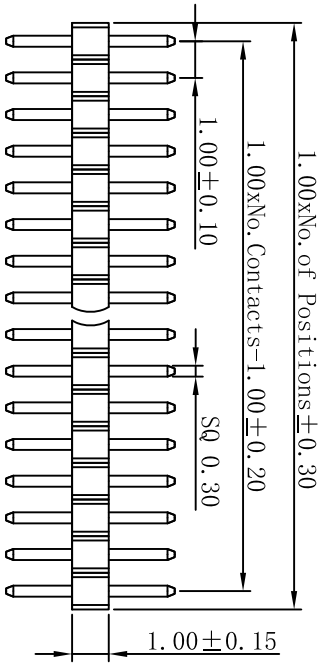
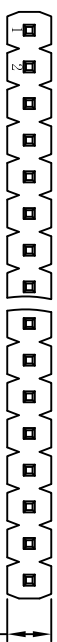


Rev No	Revision note	Date	Signature	Checked
A/0	NEW DRAWING	DEC. 07. 2020		



Recommended P.C.B Layout (Top Side)
(PCB BOARD TOLERANCE ± 0.05)

Electrical:

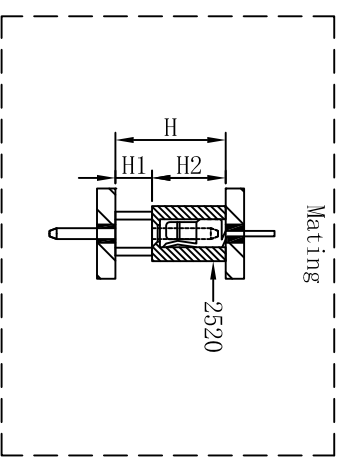
Current Rating: 0.75AMP.
Contact Resistance: 30mΩ Max.
Insulation Resistance: 1000MΩ Min.
Withstanding Voltage: 500V AC/DC.

Mechanical:

Contact Material: Brass (SQ 0.30mm) .
Contact Plating: Au or Sn Over Ni.
Insulator Material: Polyester UL94V-0.
Standard: PA6T.

Environmental:

Operating Temp Range: -55°C ~ +125°C with Gold
-40°C ~ +105°C with Tin
Max. Processing Temp: +230°C for 30~60 Seconds
+260°C for 10 Seconds



Ordering Code:

1510-11 XX S XX X XXX 0 X 01

No. of Pins 01~50	Contract Plating G1=50" Gold G2=50" Gold G3=100" Gold G4=15U" Gold G5=30U" Gold S=Gold/Flash/Tin Sh= Matte tin	Insulator Material A=BK-PPT P=BK-PA6T C=BK-PA9T D=BK-LOP	Pin Length L=A+C+1.0	Packing O=PE Bag A=Tray
----------------------	---	--	-------------------------	-------------------------------



PH1. 00, SINGLE ROW, S/T, H=1. 0

Dimension Antitheses List			
ITEM	Pin Length	A	C
Standard	4.60	1.80	1.80
Alternate			

THIS DRAWING IS A CONTROLLED DOCUMENT

DIMENSIONS INCHES		TOLERANCES UNLESS OTHERWISE SPECIFIED	
0 P.I.C	±	0.40	
1 P.I.C	±	0.25	
2 P.I.C	±	0.15	
3 P.I.C	±	0.10	
4 P.I.C	±	3°	

DATE	DATE	DATE	DATE
DEC. 07. 2020	DEC. 07. 2020	DEC. 07. 2020	DEC. 07. 2020
CHK	APP	DATE	DATE
KAIYUAN, XU	MIKE	DEC. 07. 2020	DEC. 07. 2020
UNITS	SCALE	SIZE	FILE NAME
MM	5 : 1	A4	A/D/YTCOTZ/Pin Header/1.00mm
CODE			
594309442			

PART NO.	1510-11XSXXXXXXXXX01
DRAWING NO.	1510-11S
YTCO TECHNOLOGY	
HTTP://WWW.YTCO.CO	
SHEET 1 OF 1	
REV A	